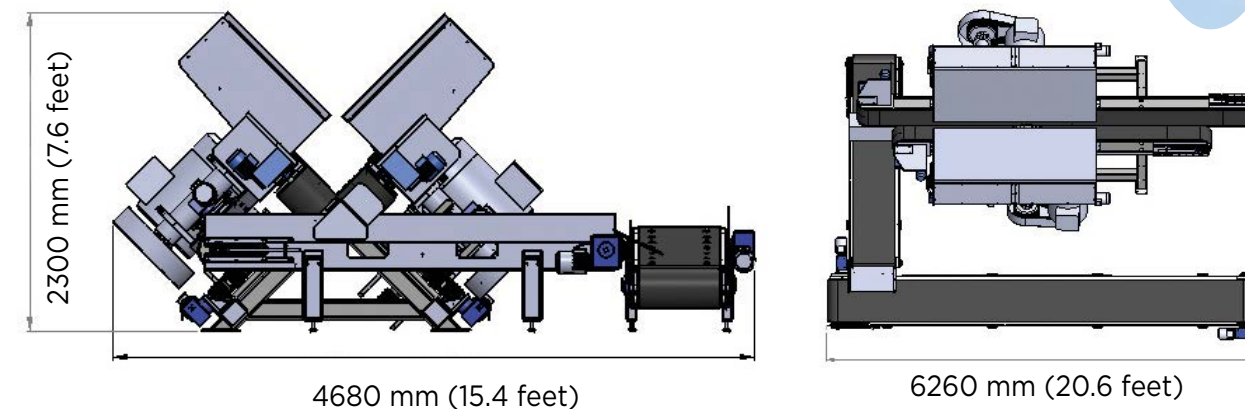


## CornerPro

Both Blades are positioned close to each other, assuring high accuracy and efficiency by cutting Corners in one pass.



CornerPro Technical Specifications	Imperial	Metric
Two Arbor Driven motors	50 HP	50 HP
Required power	150amps, 3 phase ,480 V	150amps, 3 phase ,400 V
Arbor Diameter	3.25"	82.55 mm
Main Blade diameter	40" ~ 48"	1 - 1.2 meter
Corner blade diameter	40"	1 meter
Maximum Cutting Depth	16"	400 mm
Variable conveyor speed	0 -10 ft/min	0-3 meter/min
*Standard Spindle RPM	430	430
*Subjected to customer request		
Return Conveyor Speed	10.5'/min	3 meter/min
Return Conveyor Length	21'	6.5 meter
Machine body	Galvanized	Galvanized
Blade Cover	Stainless Steel	Stainless Steel
water consumption	32 galon / min	120 liter / min
Total weight approximately	11,000 lbs	5 MT

